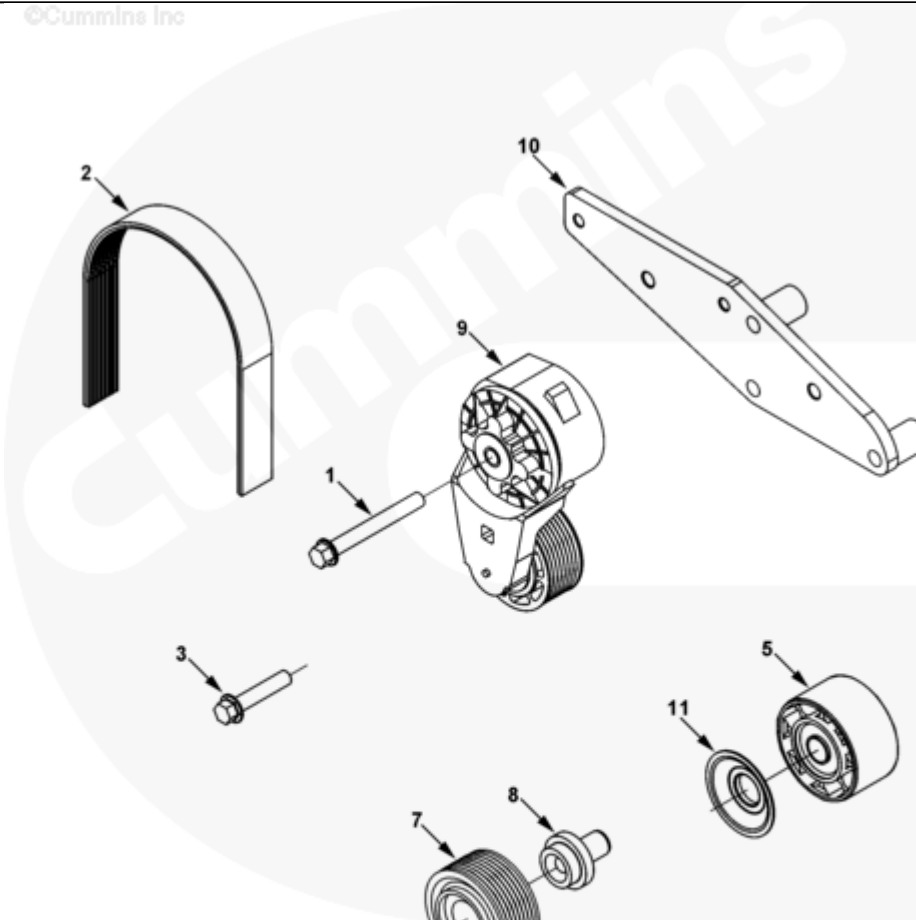




# Parts Catalog - Option Detail

Electronic Parts Catalog - Option Detail				
Option	Group	Graphic	Film Card	Date
WP9113-07	08.01	wp953gg	Z	21-FEB-05
<b>Engines</b>	6C8.3, C GAS PLUS CM556, G8.3, G8.3 CM558, GTA8.3 CM558, ISC CM2150, ISC CM554, ISC CM850, ISC8.3 CM2250, ISC8.3 G CM2180 C101, ISL CM2150, ISL CM554, ISL CM850, ISL G CM2180, ISL8.9 CM2150 L110, ISL8.9 CM2880 L112, ISL9 CM2150 SN, ISL9 CM2250, ISL9 CM2350 L101, ISL9 CM2350 L111, ISLE4 CM850, L GAS PLUS CM556, L8.9, L8.9 L121, L8.9G CMOH2.0 L125B, L9 CM2350 L116B, L9 CM2350 L119B, L9 CM2350 L120C, L9 CM2350 L123B, L9.3 L105, L9.5 L117, L9N CM2380 L124B, QSC8.3 CM2250, QSC8.3 CM2880 C102, QSC8.3 CM554, QSC8.3 CM850(CM2850), QSL9 CM2250, QSL9 CM2250 L115, QSL9 CM2350 L102, QSL9 CM2350 L107, QSL9 CM2350 L118, QSL9 CM2350 L122, QSL9 CM554, QSL9 CM850(CM2850), QSL9 G CM558, QSL9 M CM2250 L106, QSL9.3 CM2880 L113			



wp953gg

Cart	Ref No	Part Number	Part Description	Required	Remarks
View My Cart					
		WP9113-07	Water Pump Drive		MR - DRIVE, WATER PUMP...(More)
					Engine Family: C & L Series
					Belt Length (mm): 1651
					Belt Type: Poly V 8 Rib K
					Crank Pulley Diameter Over
					2.5 mm Balls (mm): 199.42
					Supports FEAD Combination As
					Follows:
					Tensioner Pulley Centerline
					from Engine Centerline
					(mm): -177.25
					Tensioner Pulley Centerline
					from Crank Centerline
					(mm): 65.56
					Tensioner Pulley Diameter
					Over 2.5mm Balls (mm): 73.99
					Tensioner Pulley Type:
					Grooved
					Water Pump Centerline from
					Engine Centerline (mm): -137
					Water Pump Pulley Centerline
					from Crank Centerline
					(mm): 198
					Water Pump Pulley Diameter
					(mm): 93.5
					Water Pump Pulley Type:
					Smooth
					Alternator Centerline from

					Engine Centerline
					(mm): -307.8
					Alternator Centerline from
					Crank Centerline (mm): 293.5
					Alternator Pulley Diameter
					Over 2.5 mm Balls
					(mm): 66.46
					#1 Idler Pulley Centerline
					from Engine Centerline
					(mm): -153
					#1 Idler Pulley Centerline
					from Crank Centerline
					(mm): 333
					#1 Idler Pulley Diameter Over
					2.5 mm Balls (mm): 74
					#1 Idler Pulley Type:
					Smooth
					#2 Idler Pulley Centerline
					from Engine Centerline
					(mm): 0
					#2 Idler Pulley Centerline
					From Crank Centerline
					(mm): 320
					#2 Idler Pulley Diameter Over
					2.5 mm Balls (mm): 73.96
					#2 Idler Pulley Type:
					Grooved
					Fan Drive Location: None

<input type="checkbox"/>	1	<a href="#">3282433</a>	Hexagon Flange Head Cap Screw	1	M10 X 1.50 X 85.
<input type="checkbox"/>	2	<a href="#">3289056</a>	V Ribbed Belt	1	
<input type="checkbox"/>	3	<a href="#">3900634</a>	Hexagon Flange Head Cap Screw	3	M10 X 1.50 X 50.
<input type="checkbox"/>	4	<a href="#">3910901</a>	Hexagon Flange Head Cap Screw	2	M10 x 1.50 x 55
<input type="checkbox"/>	5	<a href="#">3933395</a>	Idler Pulley	1	
<input type="checkbox"/>	6	<a href="#">3935013</a>	Dust Shield	1	
<input type="checkbox"/>	7	<a href="#">3978019</a>	Idler Pulley	1	
<input type="checkbox"/>	8	<a href="#">3935229</a>	Idler Shaft	2	
<input type="checkbox"/>	9	<a href="#">3970822</a>	Belt Tensioner	1	
<input type="checkbox"/>	10	<a href="#">3967720</a>	Idler Pulley Bracket	1	
<input type="checkbox"/>	11	<a href="#">3921533</a>	Debris Shield	1	

© 2019 Cummins Inc., Box 3005, Columbus, IN 47202-3005 U.S.A.  
Terms of Use and Disclaimers | Recommended System Requirements  
Need Assistance? Please click on the Contact Us button in the top right corner of any page.